



Grooved Products | Gasketed Fittings | Mechanical Tee - Grooved | VK-MTG & VK-MTG2



VK-MTG shown

SPECIFICATIONS

Sizes (Nominal)	2" x 1" to 8" x 4" DN50 x DN25 to DN200 x DN100
Approvals*	
Working pressure	16 bar (232 psi) to 20.7 bar (300 psi) (depending on size and approval)
Ambient temperature	-34 °C to 110 °C (-29.2 °F to 230 °F)
Material	Coupling: Ductile cast iron, ASTM A536 Grade 65-45-12 Gasket: EPDM Bolts and nuts: Quenched and tempered steel, ASTM A449
Finish	<ul style="list-style-type: none"> Painted red** Galvanised
Application	Water based fire-suppression systems
Installation	Refer to "Installation Manual"
Maintenance	Visual check

* Refer to table below for full approval listings

** Red epoxy available on request

Part numbers & technical data | VK-MTG & VK-MTG2

Nominal size		Pipe OD (mm)	Model	Part number		Approvals		Max. working pressure* (psi / bar)	
Inch	DN			Painted red	Galvanised	UL	FM	UL	FM
2 x 1	50 x 25	60.3 x 33.7	VK-MTG2	VK-MTG2-060034P	VK-MTG2-060034G	■	■	300 / 20.7 ¹	300 / 20.7
2 x 1-1/4	50 x 32	60.3 x 42.4	VK-MTG	VK-MTG-060042P	VK-MTG-060042G	■	■	300 / 20.7	300 / 20.7
2 x 1-1/2	50 x 40	60.3 x 48.3	VK-MTG	VK-MTG-060048P	VK-MTG-060048G	■	■	300 / 20.7	300 / 20.7
2-1/2 x 1	65 x 25	73.0 x 33.7	VK-MTG2	VK-MTG2-073034P	VK-MTG2-073034G	■	-	300 / 20.7	-
2-1/2 x 1-1/4	65 x 32	73.0 x 42.4	VK-MTG	VK-MTG-073042P	VK-MTG-073042G	■	■	300 / 20.7	300 / 20.7
2-1/2 x 1-1/2	65 x 40	73.0 x 48.3	VK-MTG	VK-MTG-073048P	VK-MTG-073048G	■	■	300 / 20.7	300 / 20.7
3OD x 1	65 x 25	76.1 x 33.7	VK-MTG2	VK-MTG2-076034P	VK-MTG2-076034G	■	■	300 / 20.7 ¹	300 / 20.7
3OD x 1-1/4	65 x 32	76.1 x 42.4	VK-MTG2	VK-MTG2-076042P	VK-MTG2-076042G	■	■	300 / 20.7 ¹	300 / 20.7
3OD x 1-1/2	65 x 40	76.1 x 48.3	VK-MTG2	VK-MTG2-076048P	VK-MTG2-076048G	■	■	300 / 20.7 ¹	300 / 20.7
3 x 1	80 x 25	88.9 x 33.7	VK-MTG2	VK-MTG2-089034P	VK-MTG2-089034G	■	■	300 / 20.7 ¹	300 / 20.7
3 x 1-1/4	80 x 32	88.9 x 42.4	VK-MTG	VK-MTG-089042P	VK-MTG-089042G	■	■	300 / 20.7	300 / 20.7
3 x 1-1/2	80 x 40	88.9 x 48.3	VK-MTG	VK-MTG-089048P	VK-MTG-089048G	■	■	300 / 20.7	300 / 20.7
3 x 2	80 x 50	88.9 x 60.3	VK-MTG	VK-MTG-089060P	VK-MTG-089060G	■	■	300 / 20.7	300 / 20.7
4 x 1	100 x 25	114.3 x 33.7	VK-MTG2	VK-MTG2-114034P	VK-MTG2-114034G	■	■	300 / 20.7 ¹	300 / 20.7
4 x 1-1/4	100 x 32	114.3 x 42.4	VK-MTG	VK-MTG-114042P	VK-MTG-114042G	■	■	300 / 20.7	300 / 20.7
4 x 1-1/2	100 x 40	114.3 x 48.3	VK-MTG	VK-MTG-114048P	VK-MTG-114048G	■	■	300 / 20.7	300 / 20.7
4 x 2	100 x 50	114.3 x 60.3	VK-MTG	VK-MTG-114060P	VK-MTG-114060G	■	■	300 / 20.7	300 / 20.7
4 x 2-1/2	100 x 65	114.3 x 73.0	VK-MTG	VK-MTG-114073P	VK-MTG-114073G	■	■	300 / 20.7	300 / 20.7
4 x 3OD	100 x 65	114.3 x 76.1	VK-MTG2	VK-MTG2-114076P	VK-MTG2-114076G	■	■	300 / 20.7	232 / 16.0
4 x 3	100 x 80	114.3 x 88.9	VK-MTG2	VK-MTG2-114089P	VK-MTG2-114089G	■	-	300 / 20.7	-

* Maximum working pressure for Schedule 40 pipe unless otherwise stated

¹ GB/T3091-2001

Table continued on next page

Note: This document contains basic product information only. Information, photos and drawings are not contractually binding. In all cases, the manufacturer's full technical documentation remains the reference document. Note that certificates, test reports and approvals may be published in the OEM name.

The contents of this publication are subject to modifications without notice. All rights reserved.

Fireking™ is a trademark of The Viking Corporation.

Trusted above all.

Viking S.A. (ed.) | 21, Z.I. Haneboesch | L-4562 Differdange/Nieder Korn | Luxembourg | vikinglux@viking-emea.com | www.viking-emea.com





Grooved Products | Gasketed Fittings | Mechanical Tee - Grooved | VK-MTG & VK-MTG2

Part numbers & technical data | VK-MTG & VK-MTG2 (continued)

Nominal size		Pipe OD (mm)	Model	Part number		Approvals		Max. working pressure* (psi / bar)	
Inch	DN			Painted red	Galvanized	UL	FM	UL	FM
5-1/2OD x 1	125 x 25	139.7 x 33.7	VK-MTG2	VK-MTG2-139034P	VK-MTG2-139034G	■	■	300 / 20.7 ¹	300 / 20.7
5-1/2OD x 1-1/4	125 x 32	139.7 x 42.4	VK-MTG2	VK-MTG2-139042P	VK-MTG2-139042G	■	■	300 / 20.7 ¹	300 / 20.7
5-1/2OD x 1-1/2	125 x 40	139.7 x 48.3	VK-MTG2	VK-MTG2-139048P	VK-MTG2-139048G	■	■	300 / 20.7 ¹	300 / 20.7
5-1/2OD x 2	125 x 50	139.7 x 60.3	VK-MTG2	VK-MTG2-139060P	VK-MTG2-139060G	■	■	300 / 20.7 ¹	300 / 20.7
5-1/2OD x 3OD	125 x 65	139.7 x 76.1	VK-MTG2	VK-MTG2-139076P	VK-MTG2-139076G	■	■	300 / 20.7 ¹	300 / 20.7
5-1/2OD x 3	125 x 80	139.7 x 88.9	VK-MTG2	VK-MTG2-139089P	VK-MTG2-139089G	■	■	300 / 20.7 ²	232 / 16.0
5 x 1-1/2	125 x 40	141.3 x 48.3	VK-MTG	VK-MTG-141048P	VK-MTG-141048G	■	■	300 / 20.7	300 / 20.7
5 x 2	125 x 50	141.3 x 60.3	VK-MTG	VK-MTG-141060P	VK-MTG-141060G	■	■	300 / 20.7	300 / 20.7
5 x 2-1/2	125 x 65	141.3 x 73.0	VK-MTG	VK-MTG-141073P	VK-MTG-141073G	■	■	300 / 20.7	300 / 20.7
6-1/2OD x 1	150 x 25	165.1 x 33.7	VK-MTG2	VK-MTG2-165034P	VK-MTG2-165034G	■	■	300 / 20.7 ¹	300 / 20.7
6-1/2OD x 1-1/4	150 x 32	165.1 x 42.4	VK-MTG2	VK-MTG2-165042P	VK-MTG2-165042G	■	■	300 / 20.7 ¹	300 / 20.7
6-1/2OD x 1-1/2	150 x 40	165.1 x 48.3	VK-MTG2	VK-MTG2-165048P	VK-MTG2-165048G	■	■	300 / 20.7 ¹	300 / 20.7
6-1/2OD x 2	150 x 50	165.1 x 60.3	VK-MTG2	VK-MTG2-165060P	VK-MTG2-165060G	■	■	300 / 20.7 ¹	300 / 20.7
6-1/2OD x 3OD	150 x 65	165.1 x 76.1	VK-MTG2	VK-MTG2-165076P	VK-MTG2-165076G	■	■	300 / 20.7 ¹	300 / 20.7
6-1/2OD x 3	150 x 80	165.1 x 88.9	VK-MTG2	VK-MTG2-165089P	VK-MTG2-165089G	■	■	300 / 20.7 ¹	300 / 20.7
6-1/2OD x 4	150 x 100	165.1 x 114.3	VK-MTG2	VK-MTG2-165114P	VK-MTG2-165114G	■	■	300 / 20.7 ²	232 / 16.0
6 x 1	150 x 25	168.3 x 33.7	VK-MTG2	VK-MTG2-168034P	VK-MTG2-168034G	■	■	300 / 20.7 ¹	300 / 20.7
6 x 1-1/4	150 x 32	168.3 x 42.4	VK-MTG	VK-MTG-168042P	VK-MTG-168042G	■	■	300 / 20.7	300 / 20.7
6 x 1-1/2	150 x 40	168.3 x 48.3	VK-MTG	VK-MTG-168048P	VK-MTG-168048G	■	■	300 / 20.7	300 / 20.7
6 x 2	150 x 50	168.3 x 60.3	VK-MTG	VK-MTG-168060P	VK-MTG-168060G	■	■	300 / 20.7	300 / 20.7
6 x 2-1/2	150 x 65	168.3 x 73.0	VK-MTG	VK-MTG-168073P	VK-MTG-168073G	■	■	300 / 20.7	300 / 20.7
6 x 3OD	150 x 65	168.3 x 76.1	VK-MTG2	VK-MTG2-168076P	VK-MTG2-168076G	■	■	300 / 20.7 ¹	300 / 20.7
6 x 3	150 x 80	168.3 x 88.9	VK-MTG2	VK-MTG2-168089P	VK-MTG2-168089G	■	■	300 / 20.7 ¹	300 / 20.7
8 x 1	200 x 25	219.1 x 33.7	VK-MTG2	VK-MTG2-219034P	VK-MTG2-219034G	■	■	300 / 20.7 ³	300 / 20.7
8 x 1-1/4	200 x 32	219.1 x 42.4	VK-MTG2	VK-MTG2-219042P	VK-MTG2-219042G	■	■	300 / 20.7 ³	300 / 20.7
8 x 1-1/2	200 x 40	219.1 x 48.3	VK-MTG2	VK-MTG2-219048P	VK-MTG2-219048G	■	■	300 / 20.7 ³	300 / 20.7
8 x 2	200 x 50	219.1 x 60.3	VK-MTG2	VK-MTG2-219060P	VK-MTG2-219060G	■	■	300 / 20.7	300 / 20.7
8 x 2-1/2	200 x 65	219.1 x 73.0	VK-MTG	VK-MTG-219073P	VK-MTG-219073G	■	■	300 / 20.7	300 / 20.7
8 x 3OD	200 x 65	219.1 x 76.1	VK-MTG2	VK-MTG2-219076P	VK-MTG2-219076G	■	■	300 / 20.7 ³	300 / 20.7
8 x 3	200 x 80	219.1 x 88.9	VK-MTG2	VK-MTG2-219089P	VK-MTG2-219089G	■	■	300 / 20.7	300 / 20.7
8 x 4	200 x 100	219.1 x 114.3	VK-MTG2	VK-MTG2-219114P	VK-MTG2-219114G	■	■	300 / 20.7 ³	300 / 20.7

* Maximum working pressure for Schedule 40 pipe unless otherwise stated

¹ GB/T3091-2001

² GB/T3091

³ GB/T3091-2001 with wall thickness min. 6 mm

Note: This document contains basic product information only. Information, photos and drawings are not contractually binding. In all cases, the manufacturer's full technical documentation remains the reference document. Note that certificates, test reports and approvals may be published in the OEM name. The contents of this publication are subject to modifications without notice. All rights reserved. Fireking™ is a trademark of The Viking Corporation.

Trusted above all.

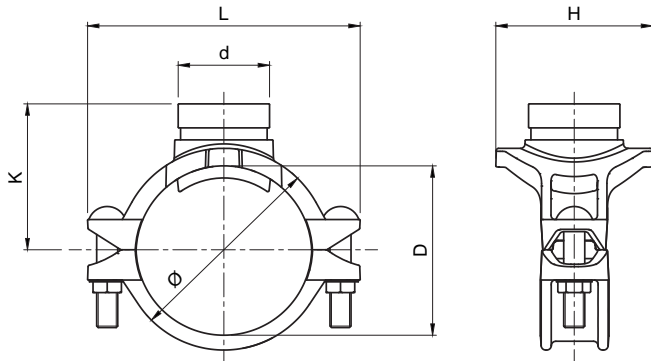
Viking S.A. (ed.) | 21, Z.I. Haneboesch | L-4562 Differdange/Niederborn | Luxembourg | vikinglux@viking-emea.com | www.viking-emea.com





Grooved Products | Gasketed Fittings | Mechanical Tee - Grooved | VK-MTG & VK-MTG2

Dimensional drawing



Dimensions | VK-MTG & VK-MTG2

Inch (D x d)	DN (D x d)	Pipe OD (mm)	Model	Ø (mm)	L (mm)	K (mm)	H (mm)	Bolts-Nuts	Hole size (mm)	Weight (kg)
2 x 1	50 x 25	60.3 x 33.7	VK-MTG2	75	116	57	72	M10 x 55	38	0.8
2 x 1-1/4	50 x 32	60.3 x 42.4	VK-MTG	75	116	65	72	M10 x 55	45	0.8
2 x 1-1/2	50 x 40	60.3 x 48.3	VK-MTG	75	116	65	72	M10 x 55	45	0.8
2-1/2 x 1	65 x 25	73.0 x 33.7	VK-MTG2	93	144	70	77	M12 x 60	38	1.0
2-1/2 x 1-1/4	65 x 32	73.0 x 42.4	VK-MTG	93	136	65	84	M12 x 60	51	0.7
2-1/2 x 1-1/2	65 x 40	73.0 x 48.3	VK-MTG	93	136	65	84	M12 x 60	51	1.1
3OD x 1	65 x 25	76.1 x 33.7	VK-MTG2	102	144	70	77	M12 x 60	38	1.0
3OD x 1-1/4	65 x 32	76.1 x 42.4	VK-MTG2	102	144	70	83	M12 x 60	51	1.1
3OD x 1-1/2	65 x 40	76.1 x 48.3	VK-MTG2	102	144	70	83	M12 x 60	51	1.1
3 x 1	80 x 25	88.9 x 33.7	VK-MTG2	104	152	76	78	M12 x 65	38	1.2
3 x 1-1/4	80 x 32	88.9 x 42.4	VK-MTG	104	152	83	84	M12 x 65	51	1.1
3 x 1-1/2	80 x 40	88.9 x 48.3	VK-MTG	104	152	83	84	M12 x 65	51	1.3
3 x 2	80 x 50	88.9 x 60.3	VK-MTG	104	152	78	102	M12 x 65	64	1.5
4 x 1	100 x 25	114.3 x 33.7	VK-MTG2	140	188	93	77	M12 x 65	38	1.5
4 x 1-1/4	100 x 32	114.3 x 42.4	VK-MTG	140	180	98	84	M12 x 65	51	1.6
4 x 1-1/2	100 x 40	114.3 x 48.3	VK-MTG	140	180	98	84	M12 x 65	51	1.4
4 x 2	100 x 50	114.3 x 60.3	VK-MTG	140	180	98	103	M12 x 65	64	1.5
4 x 2-1/2	100 x 65	114.3 x 73.0	VK-MTG	140	180	98	103	M12 x 65	70	2.1
4 x 3OD	100 x 65	114.3 x 76.1	VK-MTG2	140	188	98	123	M12 x 65	81	1.9
4 x 3	100 x 80	114.3 x 88.9	VK-MTG2	140	188	97	125	M12 x 65	86	2.1
5-1/2OD x 1	125 x 25	139.7 x 33.7	VK-MTG2	168	220	107	77	M16 x 75	38	1.9
5-1/2OD x 1-1/4	125 x 32	139.7 x 42.4	VK-MTG2	168	220	107	83	M16 x 75	46	2.0
5-1/2OD x 1-1/2	125 x 40	139.7 x 48.3	VK-MTG2	168	220	107	92	M16 x 75	51	2.0
5-1/2OD x 2	125 x 50	139.7 x 60.3	VK-MTG2	168	220	107	97	M16 x 75	61	2.0
5-1/2OD x 3OD	125 x 65	139.7 x 76.1	VK-MTG2	168	220	107	123	M16 x 75	81	2.7
5-1/2OD x 3	125 x 80	139.7 x 88.9	VK-MTG2	168	220	107	136	M16 x 75	86	2.7
5 x 1-1/2	125 x 40	141.3 x 48.3	VK-MTG	168	220	104	95	M16 x 75	51	2.1
5 x 2	125 x 50	141.3 x 60.3	VK-MTG	168	220	112	100	M16 x 75	64	2.1
5 x 2-1/2	125 x 65	141.3 x 73.0	VK-MTG	168	220	123	108	M16 x 75	70	2.6
6-1/2OD x 1	150 x 25	165.1 x 33.7	VK-MTG2	194	247	123	77	M16 x 85	38	2.3
6-1/2OD x 1-1/4	150 x 32	165.1 x 42.4	VK-MTG2	194	247	123	83	M16 x 85	46	2.4

Table continued on next page

Note: This document contains basic product information only. Information, photos and drawings are not contractually binding. In all cases, the manufacturer's full technical documentation remains the reference document. Note that certificates, test reports and approvals may be published in the OEM name. The contents of this publication are subject to modifications without notice. All rights reserved. Fireking™ is a trademark of The Viking Corporation.

Trusted above all.

Viking S.A. (ed.) | 21, Z.I. Haneboesch | L-4562 Differdange/Nieder Korn | Luxembourg | vikinglux@viking-emea.com | www.viking-emea.com





Grooved Products | Gasketed Fittings | Mechanical Tee - Grooved | VK-MTG & VK-MTG2

Dimensions | VK-MTG & VK-MTG2 (continued)

Inch (D x d)	DN (D x d)	Pipe OD (mm)	Model	Ø (mm)	L (mm)	K (mm)	H (mm)	Bolts-Nuts	Hole size (mm)	Weight (kg)
6-1/2OD x 1-1/2	150 x 40	165.1 x 48.3	VK-MTG2	194	247	123	92	M16 x 85	51	2.5
6-1/2OD x 2	150 x 50	165.1 x 60.3	VK-MTG2	194	247	123	97	M16 x 85	64	2.8
6-1/2OD x 3OD	150 x 65	165.1 x 76.1	VK-MTG2	194	247	123	123	M16 x 85	81	2.6
6-1/2OD x 3	150 x 80	165.1 x 88.9	VK-MTG2	194	247	123	136	M16 x 85	86	2.7
6 x 1	150 x 25	168.3 x 33.7	VK-MTG2	198	247	125	77	M16 x 85	38	2.3
6 x 1-1/4	150 x 32	168.3 x 42.4	VK-MTG	198	250	125	82	M16 x 85	51	2.5
6 x 1-1/2	150 x 40	168.3 x 48.3	VK-MTG	198	250	125	92	M16 x 85	51	2.5
6 x 2	150 x 50	168.3 x 60.3	VK-MTG	198	250	125	108	M16 x 85	64	2.8
6 x 2-1/2	150 x 65	168.3 x 73.0	VK-MTG	198	250	125	108	M16 x 85	70	2.4
6 x 3OD	150 x 65	168.3 x 76.1	VK-MTG2	198	250	128	123	M16 x 85	81	2.9
6 x 3	150 x 80	168.3 x 88.9	VK-MTG2	198	250	128	136	M16 x 85	89	3.3
8 x 1	200 x 25	219.1 x 33.7	VK-MTG2	250	310	152	77	M16 x 100	46	3.0
8 x 1-1/4	200 x 32	219.1 x 42.4	VK-MTG2	250	310	152	83	M16 x 100	46	3.1
8 x 1-1/2	200 x 40	219.1 x 48.3	VK-MTG2	250	310	152	92	M16 x 100	51	3.2
8 x 2	200 x 50	219.1 x 60.3	VK-MTG2	250	310	152	97	M16 x 100	61	3.4
8 x 2-1/2	200 x 65	219.1 x 73.0	VK-MTG	250	310	152	116	M16 x 100	70	3.4
8 x 3OD	200 x 65	219.1 x 76.1	VK-MTG2	250	310	152	130	M16 x 100	81	3.6
8 x 3	200 x 80	219.1 x 88.9	VK-MTG2	250	310	146	137	M16 x 100	86	3.8
8 x 4	200 x 100	219.1 x 114.3	VK-MTG2	250	310	146	162	M16 x 100	114	4.1

Note: This document contains basic product information only. Information, photos and drawings are not contractually binding. In all cases, the manufacturer's full technical documentation remains the reference document. Note that certificates, test reports and approvals may be published in the OEM name. The contents of this publication are subject to modifications without notice. All rights reserved. Fireking™ is a trademark of The Viking Corporation.

Trusted above all.

Viking S.A. (ed.) | 21, Z.I. Haneboesch | L-4562 Differdange/Niederborn | Luxembourg | vikinglux@viking-emea.com | www.viking-emea.com

