



Grooved Products | Grooved Couplings | Rigid Coupling | VK-RC



| SPECIFICATIONS | |
|---|--|
| Sizes (Nominal) | 1" to 12" DN25 to DN300 |
| Approvals* | |
| Working pressure | 20.7 bar (300 psi) to 34.5 bar (500 psi) (depending on size and approval) |
| Ambient temperature | -34 °C to 110 °C (-29.2 °F to 230 °F) |
| Material | Coupling: Ductile cast iron, ASTM A536 Grade 65-45-12 Gasket: EPDM Bolts and nuts: Quenched and tempered steel, ASTM A449 |
| Finish | <ul style="list-style-type: none"> Painted red** Galvanised |
| Application | Water based fire-suppression systems |
| Installation | Refer to "Installation Manual" |
| Maintenance | Visual check |
| * Refer to table below for full approval listings | |
| ** Red epoxy available on request | |

Part numbers & technical data | VK-RC

| Nominal size | | Pipe OD (mm) | Part number | | Approvals | | Max. working pressure* (psi / bar) | |
|--------------|-----|-----------------|-------------|------------|-----------|----|---------------------------------------|-------------------------|
| Inch | DN | | Painted red | Galvanised | UL | FM | UL | FM |
| 1 | 25 | 33.7 | VK-RC-034P | VK-RC-034G | ▪ | ▪ | 500 / 34.5 | 500 / 34.5 |
| 1-1/4 | 32 | 42.4 | VK-RC-042P | VK-RC-042G | ▪ | ▪ | 500 / 34.5 | 500 / 34.5 |
| 1-1/2 | 40 | 48.3 | VK-RC-048P | VK-RC-048G | ▪ | ▪ | 500 / 34.5 | 500 / 34.5 |
| 2 | 50 | 60.3 | VK-RC-060P | VK-RC-060G | ▪ | ▪ | 500 / 34.5 | 500 / 34.5 |
| 2-1/2 | 65 | 73.0 | VK-RC-073P | VK-RC-073G | ▪ | ▪ | 500 / 34.5 | 500 / 34.5 |
| 3OD | 65 | 76.1 | VK-RC-076P | VK-RC-076G | ▪ | ▪ | 300 / 20.7 ¹ | 300 / 20.7 ¹ |
| 3 | 80 | 88.9 | VK-RC-089P | VK-RC-089G | ▪ | ▪ | 500 / 34.5 | 500 / 34.5 |
| 4-1/4OD | 100 | 108.0 | VK-RC-108P | VK-RC-108G | ▪ | ▪ | 300 / 20.7 ¹ | 300 / 20.7 ¹ |
| 4 | 100 | 114.3 | VK-RC-114P | VK-RC-114G | ▪ | ▪ | 500 / 34.5 | 500 / 34.5 |
| 5-1/4OD | 125 | 133.0 | VK-RC-133P | VK-RC-133G | ▪ | ▪ | 300 / 20.7 ¹ | 300 / 20.7 ¹ |
| 5-1/2OD | 125 | 139.7 | VK-RC-139P | VK-RC-139G | ▪ | ▪ | 300 / 20.7 ¹ | 300 / 20.7 ¹ |
| 5 | 125 | 141.3 | VK-RC-141P | VK-RC-141G | ▪ | ▪ | 300 / 20.7 | 300 / 20.7 |
| 6-1/4OD | 150 | 159.0 | VK-RC-159P | VK-RC-159G | ▪ | ▪ | 300 / 20.7 ¹ | 300 / 20.7 ¹ |
| 6-1/2OD | 150 | 165.1 | VK-RC-165P | VK-RC-165G | ▪ | ▪ | 300 / 20.7 ¹ | 300 / 20.7 ¹ |
| 6 | 150 | 168.3 | VK-RC-168P | VK-RC-168G | ▪ | ▪ | 300 / 20.7 | 300 / 20.7 |
| 8 | 200 | 216.4 | VK-RC-216P | VK-RC-216G | ▪ | - | 300 / 20.7 ² | - |
| 8 | 200 | 219.1 | VK-RC-219P | VK-RC-219G | ▪ | ▪ | 300 / 20.7 | 300 / 20.7 |
| 10 | 250 | 273.0 | VK-RC-273P | VK-RC-273G | ▪ | ▪ | 300 / 20.7 | 300 / 20.7 |
| 12 | 300 | 323.9 | VK-RC-324P | VK-RC-324G | ▪ | ▪ | 300 / 20.7 | 300 / 20.7 |

* Maximum working pressure for Schedule 40 pipe unless otherwise stated

¹ GB/T17395 pipe specification² JIS G3452 pipe specification

Note: This document contains basic product information only. Information, photos and drawings are not contractually binding. In all cases, the manufacturer's full technical documentation remains the reference document. Note that certificates, test reports and approvals may be published in the OEM name.

The contents of this publication are subject to modifications without notice. All rights reserved.

Fireking™ is a trademark of The Viking Corporation.

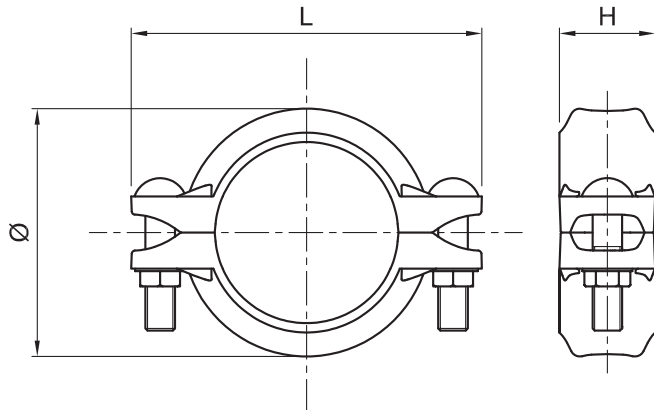
Trusted above all.

Viking S.A. (ed.) | 21, Z.I. Haneboesch | L-4562 Differdange/Niederborn | Luxembourg | vikinglux@viking-emea.com | www.viking-emea.com



Grooved Products | Grooved Couplings | Rigid Coupling | VK-RC

Dimensional drawing



Dimensions | VK-RC

| Inch | DN | Pipe OD (mm) | Ø (mm) | L (mm) | H (mm) | Bolts-Nuts | Weight (kg) |
|---------|-----|--------------|--------|--------|--------|------------|-------------|
| 1 | 25 | 33.7 | 58 | 101 | 44 | M10 x 45 | 0.5 |
| 1-1/4 | 32 | 42.4 | 67 | 107 | 44 | M10 x 45 | 0.6 |
| 1-1/2 | 40 | 48.3 | 72 | 111 | 44 | M10 x 45 | 0.5 |
| 2 | 50 | 60.3 | 85 | 125 | 44 | M10 x 55 | 0.7 |
| 2-1/2 | 65 | 73.0 | 99 | 139 | 45 | M10 x 55 | 0.8 |
| 3OD | 65 | 76.1 | 102 | 143 | 45 | M10 x 55 | 0.8 |
| 3 | 80 | 88.9 | 116 | 166 | 45 | M12 x 60 | 1.0 |
| 4-1/4OD | 100 | 108.0 | 138 | 188 | 48 | M12 x 65 | 1.3 |
| 4 | 100 | 114.3 | 141 | 191 | 49 | M12 x 65 | 1.3 |
| 5-1/4OD | 125 | 133.0 | 164 | 214 | 48 | M12 x 75 | 1.6 |
| 5-1/2OD | 125 | 139.7 | 167 | 219 | 49 | M12 x 75 | 1.6 |
| 5 | 125 | 141.3 | 167 | 219 | 49 | M12 x 75 | 1.7 |
| 6-1/4OD | 150 | 159.0 | 190 | 242 | 49 | M12 x 75 | 2.0 |
| 6-1/2OD | 150 | 165.1 | 192 | 246 | 50 | M12 x 75 | 2.0 |
| 6 | 150 | 168.3 | 200 | 251 | 49 | M12 x 75 | 2.1 |
| 8 | 200 | 216.3 | 250 | 317 | 59 | M16 x 100 | 3.7 |
| 8 | 200 | 219.1 | 253 | 320 | 59 | M16 x 85 | 3.7 |
| 10 | 250 | 273.0 | 335 | 426 | 68 | M22 x 130 | 7.7 |
| 12 | 300 | 323.9 | 380 | 470 | 65 | M22 x 130 | 9.9 |

Note: This document contains basic product information only. Information, photos and drawings are not contractually binding. In all cases, the manufacturer's full technical documentation remains the reference document. Note that certificates, test reports and approvals may be published in the OEM name. The contents of this publication are subject to modifications without notice. All rights reserved. Fireking™ is a trademark of The Viking Corporation.

Trusted above all.

Viking S.A. (ed.) | 21, Z.I. Haneboesch | L-4562 Differdange/Niederborn | Luxembourg | vikinglux@viking-emea.com | www.viking-emea.com

VIKING