



Grooved Products | Grooved Couplings | Rigid Coupling - Angle Style | VK-RCA



SPECIFICATIONS

Sizes (Nominal)	1-1/4" to 12" DN32 to DN300
Approvals*	
Working pressure	20.7 bar (300 psi) to 27.6 (400 psi) (depending on size and approval)
Ambient temperature	-34 °C to 110 °C (-29.2 °F to 230 °F)
Material	Coupling: Ductile cast iron, ASTM A536 Grade 65-45-12 Gasket: EPDM Bolts and nuts: Quenched and tempered steel, ASTM A449
Finish	<ul style="list-style-type: none"> • Painted red** • Galvanised
Application	Water based fire-suppression systems
Installation	Refer to "Installation Manual"
Maintenance	Visual check

* Refer to table below for full approval listings

** Red epoxy available on request

Part numbers & technical data | VK-RCA

Nominal size		Pipe OD (mm)	Part number		Approvals		Max. working pressure* (psi/bar)	
Inch	DN		Painted red	Galvanized	UL	FM	UL	FM
1-1/4	32	42.4	VK-RCA-042P	VK-RCA-042G	▪	▪	400 / 27.6	400 / 27.6
1-1/2	40	48.3	VK-RCA-048P	VK-RCA-048G	▪	▪	400 / 27.6	400 / 27.6
2	50	60.3	VK-RCA-060P	VK-RCA-060G	▪	▪	400 / 27.6	400 / 27.6
2-1/2	65	73.0	VK-RCA-073P	VK-RCA-073G	▪	▪	400 / 27.6	400 / 27.6
3OD	65	76.1	VK-RCA-076P	VK-RCA-076G	▪	▪	300 / 20.7 ¹	300 / 20.7 ¹
3	80	88.9	VK-RCA-089P	VK-RCA-089G	▪	▪	400 / 27.6	400 / 27.6
4-1/4OD	100	108.0	VK-RCA-108P	VK-RCA-108G	▪	▪	300 / 20.7 ¹	300 / 20.7 ¹
4	100	114.3	VK-RCA-114P	VK-RCA-114G	▪	▪	400 / 27.6	400 / 27.6
5-1/2OD	125	139.7	VK-RCA-139P	VK-RCA-139G	▪	▪	300 / 20.7 ³	300 / 20.7 ³
5	125	141.3	VK-RCA-141P	VK-RCA-141G	▪	▪	300 / 20.7	300 / 20.7
6-1/4OD	150	159.0	VK-RCA-159P	VK-RCA-159G	▪	▪	300 / 20.7 ¹	300 / 20.7 ¹
6-1/2OD	150	165.1	VK-RCA-165P	VK-RCA-165G	▪	▪	300 / 20.7 ³	300 / 20.7 ³
6	150	168.3	VK-RCA-168P	VK-RCA-168G	▪	▪	300 / 20.7	300 / 20.7
8	200	216.4	VK-RCA-216P	VK-RCA-216G	▪	▪	300 / 20.7 ²	300 / 20.7 ²
8	200	219.1	VK-RCA-219P	VK-RCA-219G	▪	▪	300 / 20.7	300 / 20.7
10	250	267.4	VK-RCA-267P	VK-RCA-267G	▪	▪	300 / 20.7 ²	300 / 20.7 ²
10	250	273.0	VK-RCA-273P	VK-RCA-273G	▪	▪	300 / 20.7	300 / 20.7
12	300	323.9	VK-RCA-324P	VK-RCA-324G	▪	▪	300 / 20.7	300 / 20.7

* Maximum working pressure for Schedule 40 pipe unless otherwise stated

¹ GB/T 17395² JIS G3452³ GB/T 3091

Note: This document contains basic product information only. Information, photos and drawings are not contractually binding. In all cases, the manufacturer's full technical documentation remains the reference document. Note that certificates, test reports and approvals may be published in the OEM name.

The contents of this publication are subject to modifications without notice. All rights reserved.

Fireking™ is a trademark of The Viking Corporation.

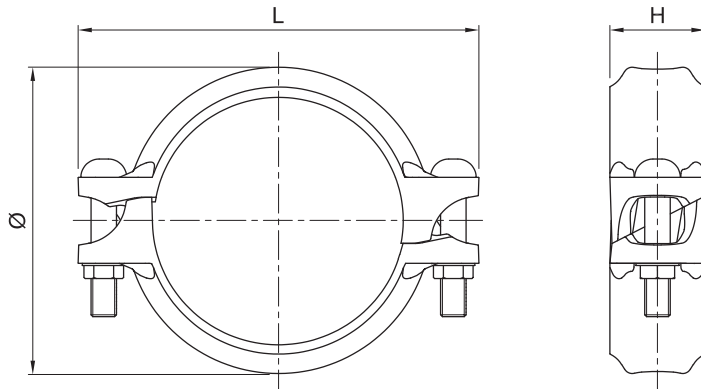
Trusted above all.

Viking S.A. (ed.) | 21, Z.I. Haneboesch | L-4562 Differdange/Niederkorn | Luxembourg | vikinglux@viking-emea.com | www.viking-emea.com



Grooved Products | Grooved Couplings | Rigid Coupling - Angle Style | VK-RCA

Dimensional drawing



Dimensions | VK-RCA

Inch	DN	Pipe OD (mm)	Ø (mm)	L (mm)	H (mm)	Bolts-Nuts	Weight (kg)
1-1/4	32	42.4	65	106	47	M10 x 55	0.6
1-1/2	40	48.3	70.5	111	47	M10 x 55	0.6
2	50	60.3	85	123.5	47	M10 x 60	0.7
2-1/2	65	73.0	99	137.5	47	M10 x 60	0.8
3OD	65	76.1	102	141.5	47	M10 x 60	0.9
3	80	88.9	117	164.5	47.5	M12 x 65	1.1
4-1/4OD	100	108.0	138.5	186	52	M12 x 70	1.4
4	100	114.3	140.5	188	52	M12 x 70	1.3
5-1/2OD	125	139.7	167.5	219	52	M12 x 75	1.7
5	125	141.3	167.5	219	52	M12 x 75	1.7
6-1/4OD	150	159.0	190	240	52.5	M12 x 75	2.0
6-1/2OD	150	165.1	193	243	52.5	M12 x 75	2.0
6	150	168.3	200	249	52.5	M12 x 75	2.2
8	200	216.3	251	312	64	M16 x 110	3.6
8	200	219.1	251	320	64	M16 x 110	4.0
10	250	267.4	307	392	66	M22 x 155	7.5
10	250	273.0	316	400	66	M22 x 155	7.9
12	300	323.9	368	456	66	M22 x 155	10.3

Note: This document contains basic product information only. Information, photos and drawings are not contractually binding. In all cases, the manufacturer's full technical documentation remains the reference document. Note that certificates, test reports and approvals may be published in the OEM name. The contents of this publication are subject to modifications without notice. All rights reserved. Fireking™ is a trademark of The Viking Corporation.

Trusted above all.

Viking S.A. (ed.) | 21, Z.I. Haneboesch | L-4562 Differdange/Niederborn | Luxembourg | vikinglux@viking-emea.com | www.viking-emea.com

VIKING