



Grooved Products | Grooved Couplings | Flexible Coupling | VK-FC



SPECIFICATIONS	
Sizes (Nominal)	1" to 12" DN25 to DN300
Approvals*	
Working pressure	20.7 bar (300 psi) to 34.5 bar (500 psi) (depending on size and approval)
Ambient temperature	-34 °C to 110 °C (-29.2 °F to 230 °F)
Material	Coupling: Ductile cast iron, ASTM A536 Grade 65-45-12 Gasket: EPDM Bolts and nuts: Quenched and tempered steel, ASTM A449
Finish	<ul style="list-style-type: none"> Painted red** Galvanised
Application	Water based fire-suppression systems
Installation	Refer to "Installation Manual"
Maintenance	Visual check

* Refer to table below for full approval listings
** Red epoxy available on request

Part numbers & technical data | VK-FC

Nominal size		Pipe OD (mm)	Part number		Approvals		Max. working pressure* (psi / bar)	
Inch	DN		Painted red	Galvanised	UL	FM	UL	FM
1	25	33.7	VK-FC-034P	VK-FC-034G	▪	▪	500 / 34.5	500 / 34.5
1-1/4	32	42.4	VK-FC-042P	VK-FC-042G	▪	▪	500 / 34.5	500 / 34.5
1-1/2	40	48.3	VK-FC-048P	VK-FC-048G	▪	▪	500 / 34.5	500 / 34.5
2	50	60.3	VK-FC-060P	VK-FC-060G	▪	▪	500 / 34.5	500 / 34.5
2-1/2	65	73.0	VK-FC-073P	VK-FC-073G	▪	▪	500 / 34.5	500 / 34.5
3OD	65	76.1	VK-FC-076P	VK-FC-076G	▪	▪	300 / 20.7 ¹	300 / 20.7 ¹
3	80	88.9	VK-FC-089P	VK-FC-089G	▪	▪	500 / 34.5	500 / 34.5
4-1/4OD	100	108.0	VK-FC-108P	VK-FC-108G	▪	▪	300 / 20.7 ¹	300 / 20.7 ¹
4	100	114.3	VK-FC-114P	VK-FC-114G	▪	▪	300 / 20.7	300 / 20.7
5-1/4OD	125	133.0	VK-FC-133P	VK-FC-133G	▪	▪	300 / 20.7 ¹	300 / 20.7 ¹
5-1/2OD	125	139.7	VK-FC-139P	VK-FC-139G	▪	▪	300 / 20.7 ¹	300 / 20.7 ¹
5	125	141.3	VK-FC-141P	VK-FC-141G	▪	▪	300 / 20.7	300 / 20.7
6-1/4OD	150	159.0	VK-FC-159P	VK-FC-159G	▪	▪	300 / 20.7 ¹	300 / 20.7 ¹
6-1/2OD	150	165.1	VK-FC-165P	VK-FC-165G	▪	▪	300 / 20.7 ¹	300 / 20.7 ¹
6	150	168.3	VK-FC-168P	VK-FC-168G	▪	▪	300 / 20.7	300 / 20.7
8	200	216.3	VK-FC-216P	VK-FC-216G	▪	-	300 / 20.7 ²	-
8	200	219.1	VK-FC-219P	VK-FC-219G	▪	▪	300 / 20.7	300 / 20.7
10	250	267.4	VK-FC-267P	VK-FC-267G	▪	-	300 / 20.7 ²	-
10	250	273.0	VK-FC-273P	VK-FC-273G	▪	▪	300 / 20.7	300 / 20.7
12	300	318.5	VK-FC-318P	VK-FC-318G	▪	-	300 / 20.7 ²	-
12	300	323.9	VK-FC-324P	VK-FC-324G	▪	▪	300 / 20.7	300 / 20.7

* Maximum working pressure for Schedule 40 pipe unless otherwise stated

¹ GB/T17395² JIS G3452

Note: This document contains basic product information only. Information, photos and drawings are not contractually binding. In all cases, the manufacturer's full technical documentation remains the reference document. Note that certificates, test reports and approvals may be published in the OEM name.

The contents of this publication are subject to modifications without notice. All rights reserved.

Fireking™ is a trademark of The Viking Corporation.

Trusted above all.

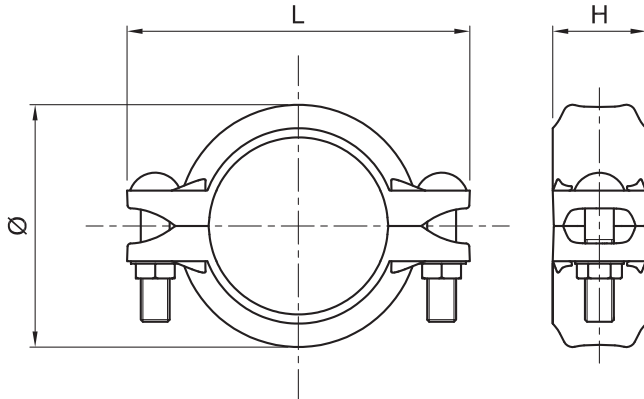
Viking S.A. (ed.) | 21, Z.I. Haneboesch | L-4562 Differdange/Nieder Korn | Luxembourg | vikinglux@viking-emea.com | www.viking-emea.com





Grooved Products | Grooved Couplings | Flexible Coupling | VK-FC

Dimensional drawing



Dimensions | VK-FC

Inch	DN	Pipe OD (mm)	Ø (mm)	L (mm)	H (mm)	Bolts-Nuts	Weight (kg)
1	25	33.7	58	100	44	M10 x 45	0.5
1-1/4	32	42.4	67	107	44	M10 x 45	0.5
1-1/2	40	48.3	72	111	44	M10 x 45	0.6
2	50	60.3	85	124	44	M10 x 55	0.7
2-1/2	65	73.0	99	138	45	M10 x 55	0.8
3OD	65	76.1	102	142	45	M10 x 55	0.8
3	80	88.9	116	165	45	M12 x 60	1.1
4-1/4OD	100	108.0	138	187	48	M12 x 65	1.3
4	100	114.3	141	190	49	M12 x 65	1.3
5-1/4OD	125	133.0	164	213	48	M12 x 75	1.6
5-1/2OD	125	139.7	167	218	49	M12 x 75	1.6
5	125	141.3	167	219	49	M12 x 75	1.9
6-1/4OD	150	159.0	190	240	49	M12 x 75	1.9
6-1/2OD	150	165.1	192	245	50	M12 x 75	1.9
6	150	168.3	200	250	49	M12 x 75	2.1
8	200	216.3	250	316	59	M16 x 85	3.2
8	200	219.1	253	319	59	M16 x 85	3.6
10	250	267.4	307	388	65	M22 x 130	6.0
10	250	273.0	317	401	63	M22 x 130	7.3
12	300	318.5	360	450	65	M22 x 165	8.0
12	300	323.9	375	455	64	M22 x 130	9.7

Note: This document contains basic product information only. Information, photos and drawings are not contractually binding. In all cases, the manufacturer's full technical documentation remains the reference document. Note that certificates, test reports and approvals may be published in the OEM name. The contents of this publication are subject to modifications without notice. All rights reserved. Fireking™ is a trademark of The Viking Corporation.

Trusted above all.

Viking S.A. (ed.) | 21, Z.I. Haneboesch | L-4562 Differdange/Niederborn | Luxembourg | vikinglux@viking-emea.com | www.viking-emea.com

