



Grooved Products | Grooved Fittings | End All | VK-EA



SPECIFICATIONS

Sizes (Nominal)	1-1/4" x 1/2" to 2-1/2" x 1" NPT DN32 x DN15 to DN65 x DN25 BSP
Approvals*	
Working pressure	34.5 bar (500 psi)
Material	Ductile cast iron, ASTM A536 Grade 65-45-12
Finish	<ul style="list-style-type: none"> Painted red** Galvanised
Application	Water based fire-suppression systems
Installation	Refer to "Installation Manual"
Maintenance	Visual check

* Refer to table below for full approval listings
** Red epoxy available on request

Part numbers & technical data | VK-EA

Nominal size		Pipe OD (mm)	Thread size	Thread type	Part number		Approvals		Max. working pressure (psi / bar)	
Inch	DN				Painted red	Galvanised	UL	FM	UL	FM
NPT										
1-1/4 x 1/2	32 x 15	42.4 x 21.3	1/2"	NPT	VK-EA-042021NP	VK-EA-042021NG	■	■	500 / 34.5	500 / 34.5
1-1/4 x 3/4	32 x 20	42.4 x 26.9	3/4"	NPT	VK-EA-042027NP	VK-EA-042027NG	■	■	500 / 34.5	500 / 34.5
1-1/4 x 1	32 x 25	42.4 x 33.7	1"	NPT	VK-EA-042034NP	VK-EA-042034NG	■	■	500 / 34.5	500 / 34.5
1-1/2 x 1/2	40 x 15	48.3 x 21.3	1/2"	NPT	VK-EA-048021NP	VK-EA-048021NG	■	■	500 / 34.5	500 / 34.5
1-1/2 x 3/4	40 x 20	48.3 x 26.9	3/4"	NPT	VK-EA-048027NP	VK-EA-048027NG	■	■	500 / 34.5	500 / 34.5
1-1/2 x 1	40 x 25	48.3 x 33.7	1"	NPT	VK-EA-048034NP	VK-EA-048034NG	■	■	500 / 34.5	500 / 34.5
2 x 1/2	50 x 15	60.3 x 21.3	1/2"	NPT	VK-EA-060021NP	VK-EA-060021NG	■	■	500 / 34.5	500 / 34.5
2 x 3/4	50 x 20	60.3 x 26.9	3/4"	NPT	VK-EA-060027NP	VK-EA-060027NG	■	■	500 / 34.5	500 / 34.5
2 x 1	50 x 25	60.3 x 33.7	1"	NPT	VK-EA-060034NP	VK-EA-060034NG	■	■	500 / 34.5	500 / 34.5
2-1/2 x 1/2	65 x 15	73.0 x 21.3	1/2"	NPT	VK-EA-073021NP	VK-EA-073021NG	■	■	500 / 34.5	500 / 34.5
2-1/2 x 3/4	65 x 20	73.0 x 26.9	3/4"	NPT	VK-EA-073027NP	VK-EA-073027NG	■	■	500 / 34.5	500 / 34.5
2-1/2 x 1	65 x 25	73.0 x 33.7	1"	NPT	VK-EA-073034NP	VK-EA-073034NG	■	■	500 / 34.5	500 / 34.5
BSP										
1-1/4 x 1/2	32 x 15	42.4 x 21.3	DN15	BSP	VK-EA-042021BP	VK-EA-042021BG	■	■	500 / 34.5	500 / 34.5
1-1/4 x 3/4	32 x 20	42.4 x 26.9	DN20	BSP	VK-EA-042027BP	VK-EA-042027BG	■	■	500 / 34.5	500 / 34.5
1-1/4 x 1	32 x 25	42.4 x 33.7	DN25	BSP	VK-EA-042034BP	VK-EA-042034BG	■	■	500 / 34.5	500 / 34.5
1-1/2 x 1/2	40 x 15	48.3 x 21.3	DN15	BSP	VK-EA-048021BP	VK-EA-048021BG	■	■	500 / 34.5	500 / 34.5
1-1/2 x 3/4	40 x 20	48.3 x 26.9	DN20	BSP	VK-EA-048027BP	VK-EA-048027BG	■	■	500 / 34.5	500 / 34.5
1-1/2 x 1	40 x 25	48.3 x 33.7	DN25	BSP	VK-EA-048034BP	VK-EA-048034BG	■	■	500 / 34.5	500 / 34.5
2 x 1/2	50 x 15	60.3 x 21.3	DN15	BSP	VK-EA-060021BP	VK-EA-060021BG	■	■	500 / 34.5	500 / 34.5
2 x 3/4	50 x 20	60.3 x 26.9	DN20	BSP	VK-EA-060027BP	VK-EA-060027BG	■	■	500 / 34.5	500 / 34.5
2 x 1	50 x 25	60.3 x 33.7	DN25	BSP	VK-EA-060034BP	VK-EA-060034BG	■	■	500 / 34.5	500 / 34.5
2-1/2 x 1/2	65 x 15	73 x 21.3	DN15	BSP	VK-EA-073021BP	VK-EA-073021BG	■	■	500 / 34.5	500 / 34.5
2-1/2 x 3/4	65 x 20	73 x 26.9	DN20	BSP	VK-EA-073027BP	VK-EA-073027BG	■	■	500 / 34.5	500 / 34.5
2-1/2 x 1	65 x 25	73 x 33.7	DN25	BSP	VK-EA-073034BP	VK-EA-073034BG	■	■	500 / 34.5	500 / 34.5

Note: This document contains basic product information only. Information, photos and drawings are not contractually binding. In all cases, the manufacturer's full technical documentation remains the reference document. Note that certificates, test reports and approvals may be published in the OEM name. The contents of this publication are subject to modifications without notice. All rights reserved. Fireking™ is a trademark of The Viking Corporation.

Trusted above all.

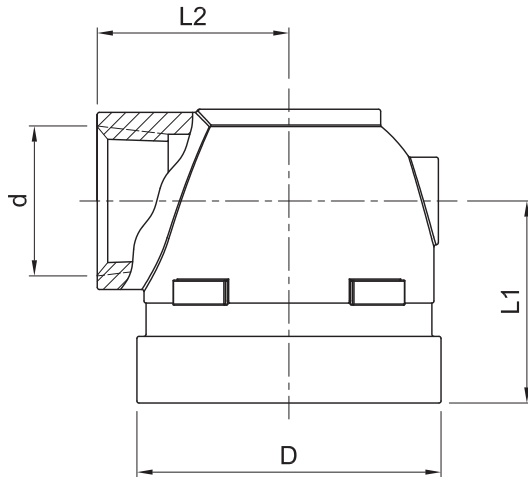
Viking S.A. (ed.) | 21, Z.I. Haneboesch | L-4562 Differdange/Niederborn | Luxembourg | vikinglux@viking-emea.com | www.viking-emea.com





Grooved Products | Grooved Fittings | End All | VK-EA

Dimensional drawing



Dimensions | VK-EA

Inch (D x d)	DN (D x d)	Pipe OD (mm)	L1 (mm)	L2 (mm)	Weight (kg)
1-1/4 x 1/2	32 x 15	42.4 x 21.3	45.0	30.5	0.3
1-1/4 x 3/4	32 x 20	42.4 x 26.9	45.0	30.5	0.3
1-1/4 x 1	32 x 25	42.4 x 33.7	48.5	31.5	0.3
1-1/2 x 1/2	40 x 15	48.3 x 21.3	45.0	33.5	0.4
1-1/2 x 3/4	40 x 20	48.3 x 26.9	45.0	33.5	0.4
1-1/2 x 1	40 x 25	48.3 x 33.7	48.5	35.5	0.4
2 x 1/2	50 x 15	60.3 x 21.3	44.5	40.0	0.4
2 x 3/4	50 x 20	60.3 x 26.9	45.0	40.0	0.5
2 x 1	50 x 25	60.3 x 33.7	48.5	41.5	0.5
2-1/2 x 1/2	65 x 15	73.0 x 21.3	44.5	44.5	0.5
2-1/2 x 3/4	65 x 20	73.0 x 26.9	44.5	44.5	0.5
2-1/2 x 1	65 x 25	73.0 x 33.7	48.5	46.0	0.5

Note: This document contains basic product information only. Information, photos and drawings are not contractually binding. In all cases, the manufacturer's full technical documentation remains the reference document. Note that certificates, test reports and approvals may be published in the OEM name. The contents of this publication are subject to modifications without notice. All rights reserved. Fireking™ is a trademark of The Viking Corporation.

Trusted above all.

Viking S.A. (ed.) | 21, Z.I. Haneboesch | L-4562 Differdange/Nieder Korn | Luxembourg | vikinglux@viking-emea.com | www.viking-emea.com

