



Grooved Products | Grooved Fittings | Elbow - 90° | VK-E90



SPECIFICATIONS

Sizes (Nominal)	1" to 12" DN25 to DN300
Approvals*	
Working pressure	20.7 bar (300 psi) to 34.5 bar (500 psi) (depending on size and approval)
Material	Ductile cast iron, ASTM A536 Grade 65-45-12
Finish	<ul style="list-style-type: none"> Painted red** Galvanised
Application	Water based fire-suppression systems
Installation	Refer to "Installation Manual"
Maintenance	Visual check

* Refer to table below for full approval listings
** Red epoxy available on request

Part numbers & technical data | VK-E90

Nominal size		Pipe OD (mm)	Part number		Approvals		Max. working pressure (psi / bar)	
Inch	DN		Painted red	Galvanised	UL	FM	UL	FM
1	25	33.7	VK-E90-034P	VK-E90-034G	■	■	400 / 27.6	500 / 34.5
1-1/4	32	42.4	VK-E90-042P	VK-E90-042G	■	■	400 / 27.6	500 / 34.5
1-1/2	40	48.3	VK-E90-048P	VK-E90-048G	■	■	400 / 27.6	500 / 34.5
2	50	60.3	VK-E90-060P	VK-E90-060G	■	■	400 / 27.6	500 / 34.5
2-1/2	65	73.0	VK-E90-073P	VK-E90-073G	■	■	400 / 27.6	500 / 34.5
3OD	65	76.1	VK-E90-076P	VK-E90-076G	■	■	400 / 27.6	500 / 34.5
3	80	88.9	VK-E90-089P	VK-E90-089G	■	■	400 / 27.6	500 / 34.5
4-1/4OD	100	108.0	VK-E90-108P	VK-E90-108G	■	■	400 / 27.6	500 / 34.5
4	100 (LR)	114.3	VK-E90-114LRP	VK-E90-114LRG	■	■	400 / 27.6	500 / 34.5
4	100	114.3	VK-E90-114P	VK-E90-114G	■	■	400 / 27.6	500 / 34.5
5-1/4OD	125	133.0	VK-E90-133P	VK-E90-133G	■	■	300 / 20.7	400 / 27.6
5-1/2OD	125	139.7	VK-E90-139P	VK-E90-139G	■	■	300 / 20.7	400 / 27.6
5	125	141.3	VK-E90-141P	VK-E90-141G	■	■	300 / 20.7	400 / 27.6
6-1/4OD	150	159.0	VK-E90-159P	VK-E90-159G	■	■	300 / 20.7	400 / 27.6
6-1/2OD	150	165.1	VK-E90-165P	VK-E90-165G	■	■	300 / 20.7	400 / 27.6
6	150	168.3	VK-E90-168P	VK-E90-168G	■	■	300 / 20.7	400 / 27.6
8	200	219.1	VK-E90-219P	VK-E90-219G	■	■	300 / 20.7	300 / 20.7
10	250	273.0	VK-E90-273P	VK-E90-273G	■	■	300 / 20.7	300 / 20.7
12	300	323.9	VK-E90-324P	VK-E90-324G	■	■	300 / 20.7	300 / 20.7

LR = Long radius

Note: This document contains basic product information only. Information, photos and drawings are not contractually binding. In all cases, the manufacturer's full technical documentation remains the reference document. Note that certificates, test reports and approvals may be published in the OEM name. The contents of this publication are subject to modifications without notice. All rights reserved. Fireking™ is a trademark of The Viking Corporation.

Trusted above all.

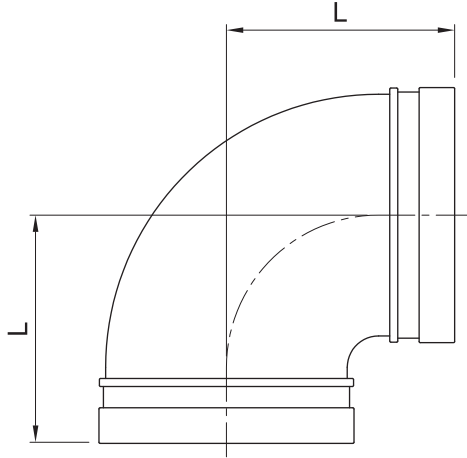
Viking S.A. (ed.) | 21, Z.I. Haneboesch | L-4562 Differdange/Niederborn | Luxembourg | vikinglux@viking-emea.com | www.viking-emea.com

VIKING



Grooved Products | Grooved Fittings | Elbow - 90° | VK-E90

Dimensional drawing



Dimensions | VK-E90

Inch	DN	Pipe OD (mm)	L (mm)	Weight (kg)
1	25	33.7	57.0	0.3
1-1/4	32	42.4	60.0	0.4
1-1/2	40	48.3	60.0	0.5
2	50	60.3	70.0	0.6
2-1/2	65	73.0	76.0	0.9
3OD	65	76.1	76.0	0.8
3	80	88.9	86.0	1.2
4-1/4OD	100	108.0	101.5	1.7
4	100 (LR)	114.3	127.0	1.7
4	100	114.3	101.5	1.7
5-1/4OD	125	133.0	122.0	2.8
5-1/2OD	125	139.7	122.0	3.3
5	125	141.3	122.0	3.3
6-1/4OD	150	159.0	140.0	4.4
6-1/2OD	150	165.1	140.0	4.2
6	150	168.3	140.0	4.1
8	200	219.1	174.5	9.3
10	250	273.0	215.0	16.8
12	300	323.9	245.0	22.5

LR = Long radius

Note: This document contains basic product information only. Information, photos and drawings are not contractually binding. In all cases, the manufacturer's full technical documentation remains the reference document. Note that certificates, test reports and approvals may be published in the OEM name. The contents of this publication are subject to modifications without notice. All rights reserved. Fireking™ is a trademark of The Viking Corporation.

Trusted above all.

Viking S.A. (ed.) | 21, Z.I. Haneboesch | L-4562 Differdange/Niederborn | Luxembourg | vikinglux@viking-emea.com | www.viking-emea.com

